

RA-12 Series Step-Lite

(Replaceable Lamps, 12V only)

12 Volt for economical power use.

1 watt lamps, 3.8 lumens, 2200K color temperature.

Choice of two lamp spacings: **"EB"** 1.2" oc or the **"STD"** 2" oc spacing.

Slim line contour of continuous light, 5/8"w x 3/4"t.

Easy to replace lamps for years of service.

Easily **field shorten** if needed.

Clear polycarbonate lense cover with UV inhibitors.

Low temperature, warm to the touch.

Completely **dimnable** light system.

Can be mounted with silicone adhesive or double sided tape.

Dry/Damp Rated.

"EB" lamps max length **10ft.** – **"STD"** lamps max length **15ft.**

Custom lengths manufactured to the INCH.

10,000 hour continuous lamp life.

Housing is white extruded UV stabilized plastic.

UL 94-VO flammability rated.

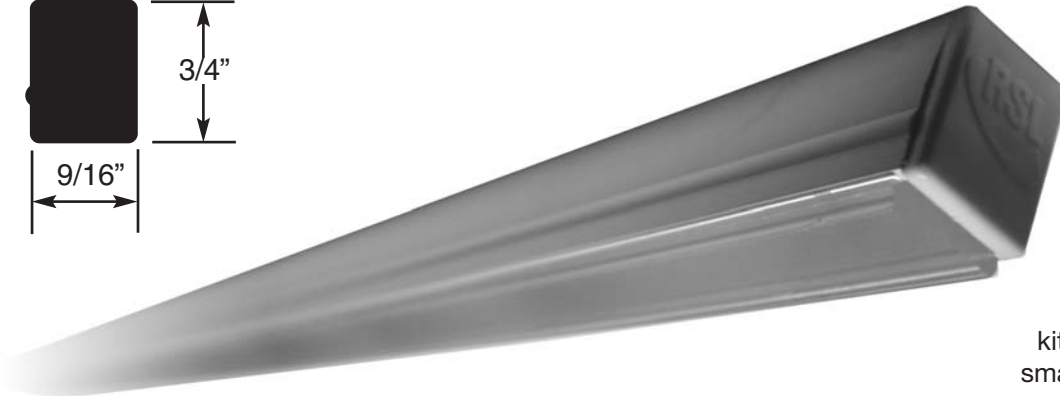
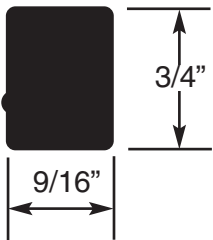
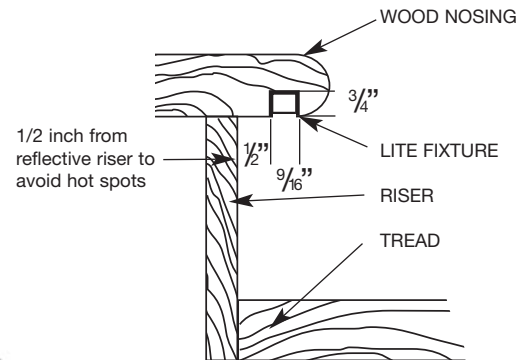
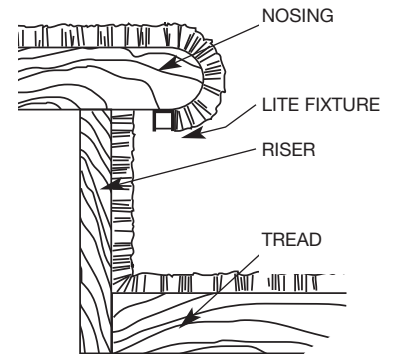
Can be powered with either AC or DC power source.

Lead wires are 18", unless ordered longer.

LAMPS INCLUDED.

SERIES

RA-12

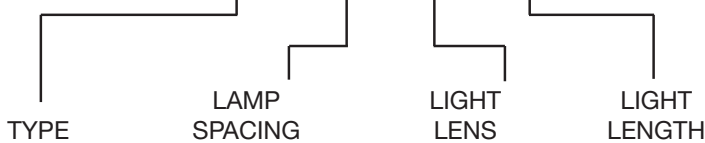


Uses:

Steps, railings, handrails, window dressings, coves, soffits, kitchen cabinets, anywhere you need small bright lighting for years of service.

ORDER/SPECIFY BY CATALOG NUMBERS

RA-12 - EB - FS - 104



RA-Series Standard (max length 15ft.)
Extra Bright (max length 10ft.) Clear-CL
Frosted-FS Order custom length
to the inch required

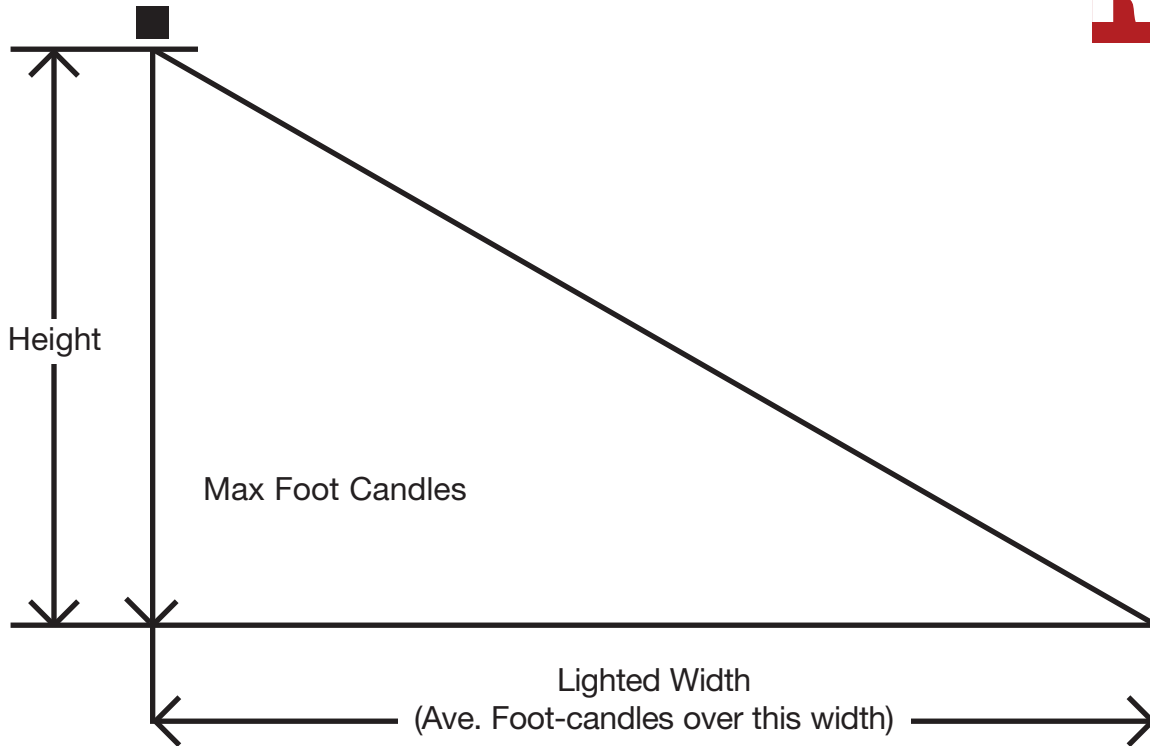


©2008

8413 Mantle Avenue
Oklahoma City, OK 73132
405-728-4895
1-800-654-8268
FAX: 405-728-4878
info@robertssteplite.com

SERIES

RA12



Height above floor in Inches	Lighted width in Inches	RA-12-EB		RA-12-STD	
		Ave.	Max	Ave.	Max
6	6.8	8.7	18.9	5.1	11.6
10	11.3	5.2	11.3	3.1	7.0
12	13.5	4.4	9.4	2.6	5.8
18	20.3	2.9	6.3	1.7	3.9
24	27.0	2.2	4.7	1.3	2.9
30	33.8	1.7	3.8	1.0	2.3
36	40.5	1.5	3.1	0.9	1.9

Foot-candle levels from continuous 36" long light unit.

NOTES:

1. Lighted width to point foot-candle levels falls to 10% maximum.
2. Average foot-candles over lighted width.
3. Foot-candles directly below light unit.
4. Average riser reflectance 30%.



©2008

8413 Mantle Avenue
Oklahoma City, OK 73132
405-728-4895
1-800-654-8268
FAX: 405-728-4878
info@robertssteplite.com

RN-12 Series Step-Lite/Display-lite

SERIES

RN-12

Uses:
Display,
bookcase, kitchen,
concealed light source

Display -
Bookcase - Kitchen -
Concealed Light Source

Slim, trim, the **easiest to conceal** profile.
1/2" w by 7/16" t.

Bright, white **1 watt** lamps - **12Volt**

Max. length 15ft. for 2" oc lamp spacing "**STD**"

Max. length 10ft. for 1.2" oc lamp spacing "**EB**"

Indoor or protected cover use

10,000 plus hours expected lamp light

Completely **dimnable**

Easy to replace lamps for years of use

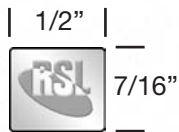
If one lamp burns out, does not effect the rest

Power lead wires are 18" long

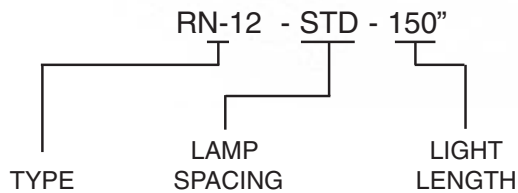
Can be mounted with silicone adhesive or double sided tape

LAMPS INCLUDED

1 Watt lamps, 3.8 lumens, 2200K color



ORDER/SPECIFY BY CATALOG NUMBERS



RN-Series

Standard (max length 15ft.)
Extra Bright (max length 10ft.)

Order any custom length
to the inch required



©2008

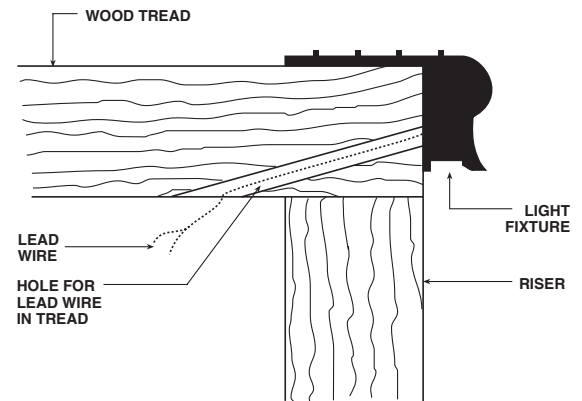
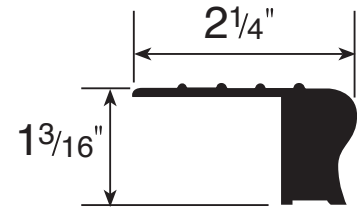
8413 Mantle Avenue
Oklahoma City, OK 73132
405-728-4895
1-800-654-8268
FAX: 405-728-4878
info@robertssteplite.com

RR-Series Step-Lite

- 12 volt for economical power use
- 1 watt lamps, 3.8 lumens, 2200K color light
- Directs light where it is most functional while eliminating glare
- Ideal for eliminating wear on carpet nosing and bull nose wear
- Mounts to step surface with screws, construction adhesive or floor tile adhesive (provided by others)
- Choice of two lamp spacings: "EB" 1.2" oc or the "STD" 2" oc lamps
- Max fixture length is **15ft.** for "STD" lamps and **10ft.** for "EB" lamps
- Custom lengths manufactured to the 1/4" step length
- Each Step-Lite is complete with 18" lead wire at one end for electrical hookup
- Can be used indoors or outdoors.
- Attractive Bronze power coat finish provides aesthetic finish
- Field measurements should be taken for manufacturing if possible
- Can also be field shortened if required
- 10,000** hour lamp life
- Conduit must be in place before pouring to provide wiring raceway
- Completely dimmable light system
- End caps included
- Easy lamp replacement
- Lamps included
- Wire exit-back can be specified if known (See below)
- If not specified, **will exit back RIGHT end**

SERIES

RR



Left End



Right End

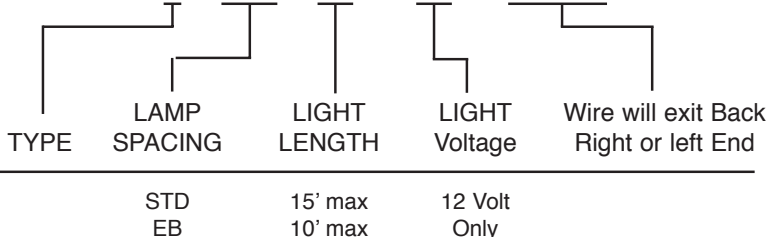
Roberts RR-Series Step-Lite is the "ultimate" solution for aesthetic lighting on existing steps when remodeling or renovating commercial or institutional projects. The attractive bronze-tone color provides an attractive solution even for problem steps.

This Step-Lite system is perfect for illuminating shallow risers that can cause hazardous falls.

The RR-Series is filling the need for retrofitting safety lighting to areas that are known problems.

ORDER/SPECIFY BY CATALOG NUMBERS

RR - STD - 88" - 12v. - RT-END



©2008

8413 Mantle Avenue
Oklahoma City, OK 73132
405-728-4895
1-800-654-8268
FAX: 405-728-4878
info@robertsstlelite.com

RV-Series Step-Lite

For any cast in place material needing indirect safety lighting on lower steps

Step-Lite must be cast into place as step concrete is being poured

Conduit raceway should be sleeved at one end of the step for low voltage wires, back to transformer

Can be used indoors or outdoors

12 Volt for easy installation

1 watt lamps, 3.8 lumens, 2200K color temp

Dimensions of 5/8" tall by 1" wide

Choice of two lamp spacings: "**EB**" 1.2" oc or the "**STD**" 2" oc lamp

Max fixture length is **10ft.** for "**EB**" lamps and **15ft.** for "**STD**" lamps

Lead wires are 18" long unless specified longer and exit one end

***** Please allow enough time for manufacture and shipping before concrete pouring*****

Any custom light length made to the inch

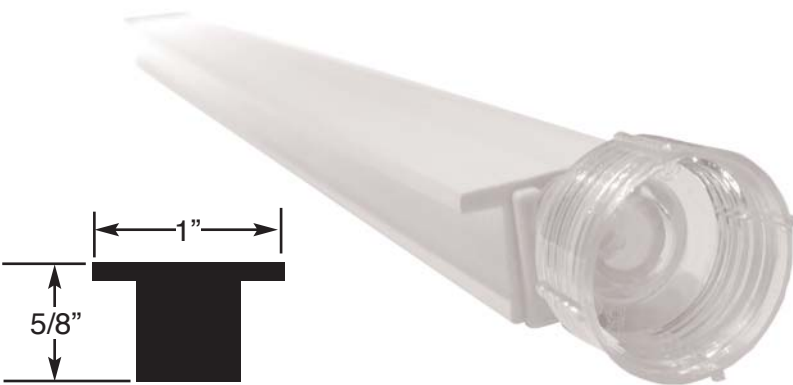
Easy lamp replacement, just remove clear lens

Step lights can be field shortened if required

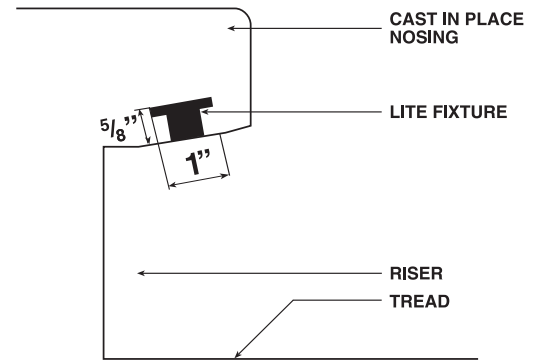
If your project requires corner turns, please consult factory

- **10,000** hour rated lamp life

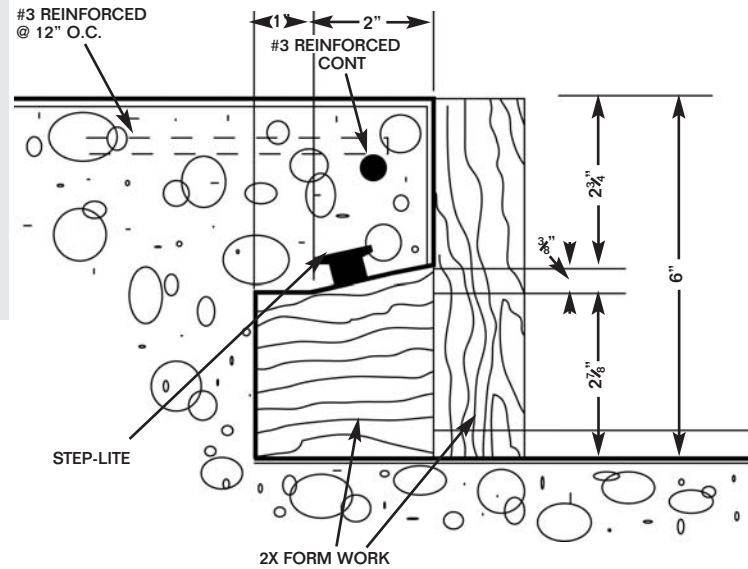
- **LAMPS INCLUDED**



SERIES

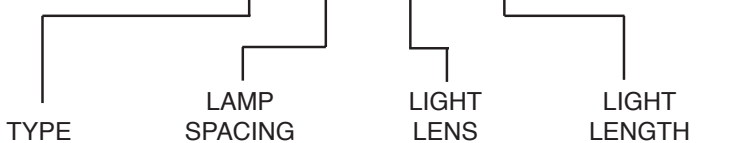


RV-Series Installation Detail



ORDER/SPECIFY BY CATALOG NUMBERS

RV - EB - CL - 120



©2008

8413 Mantle Avenue
Oklahoma City, OK 73132
405-728-4895
1-800-654-8268
FAX: 405-728-4878
info@robertssteplite.com

RC-Series Step-Lite

12 volt for economical power use
1 watt lamps, 3.8 lumens, 2200K color light
 Designed to conceal safety lighting for carpeted steps
 Heavy duty aluminum extrusion for weight bearing load
 Choice of two lamp spacings: “**EB**” 1.2" oc or the “**STD**” 2" oc lamps
 “EB” lamps max length **10ft.** – “STD” lamps max length **15ft.**
 Custom lengths manufactured to the 1/4" step length
 Each Step-Lite is complete with 18" lead wire at one end for electrical hookup
 Because each project is different, actual stub thru conduit wire location must be located and drilled at job site
 Concrete anchors are available locally
 Field measurements should be taken for manufacturing if possible
 Can also be field shortened if required
10,000 hour lamp life
 Completely dimmable light system
 End caps included
 Easy lamp replacement by removing lens cover
 Wire exit-back can be specified if known (See below)
 If not specified, **will exit back RIGHT end**

LAMPS INCLUDED

Holes for screw mounting can be provided.
Contact factory for information.

Right End



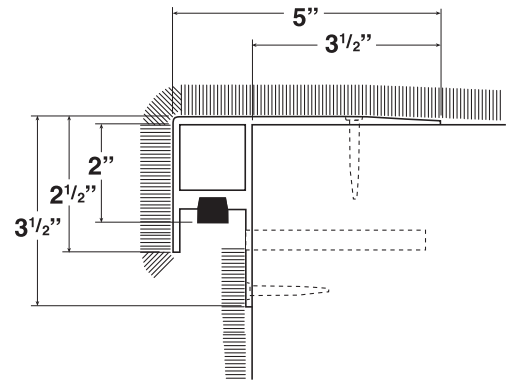
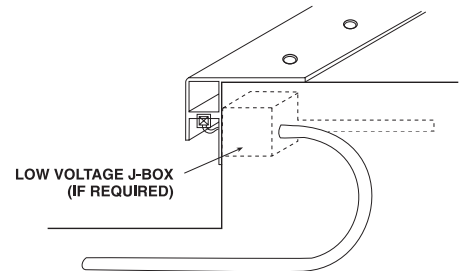
Left End

ORDER/SPECIFY BY CATALOG NUMBERS

RC - STD - 48" - 12v. - RT-END				
TYPE	LAMP SPACING	LIGHT LENGTH	LIGHT Voltage	Wire will exit Back Right or left End
STD	15' max	12 Volt		
EB	10' max	Only		

Note: Do Not use 2.8 watt Lamp in shining down application.

SERIES



Roberts RC-Series Step-Lite is designed to conceal safety lighting and extrusion for carpeted steps and provide a dramatic effect in low light areas by isolating special areas of attention.

With these lights, areas requiring lighted steps, such as auditorium and civic center applications, can have both the luxury of carpeting and the accident prevention that public areas require.



©2008

8413 Mantle Avenue
 Oklahoma City, OK 73132
405-728-4895
1-800-654-8268
 FAX: 405-728-4878
 info@robertssteplite.com