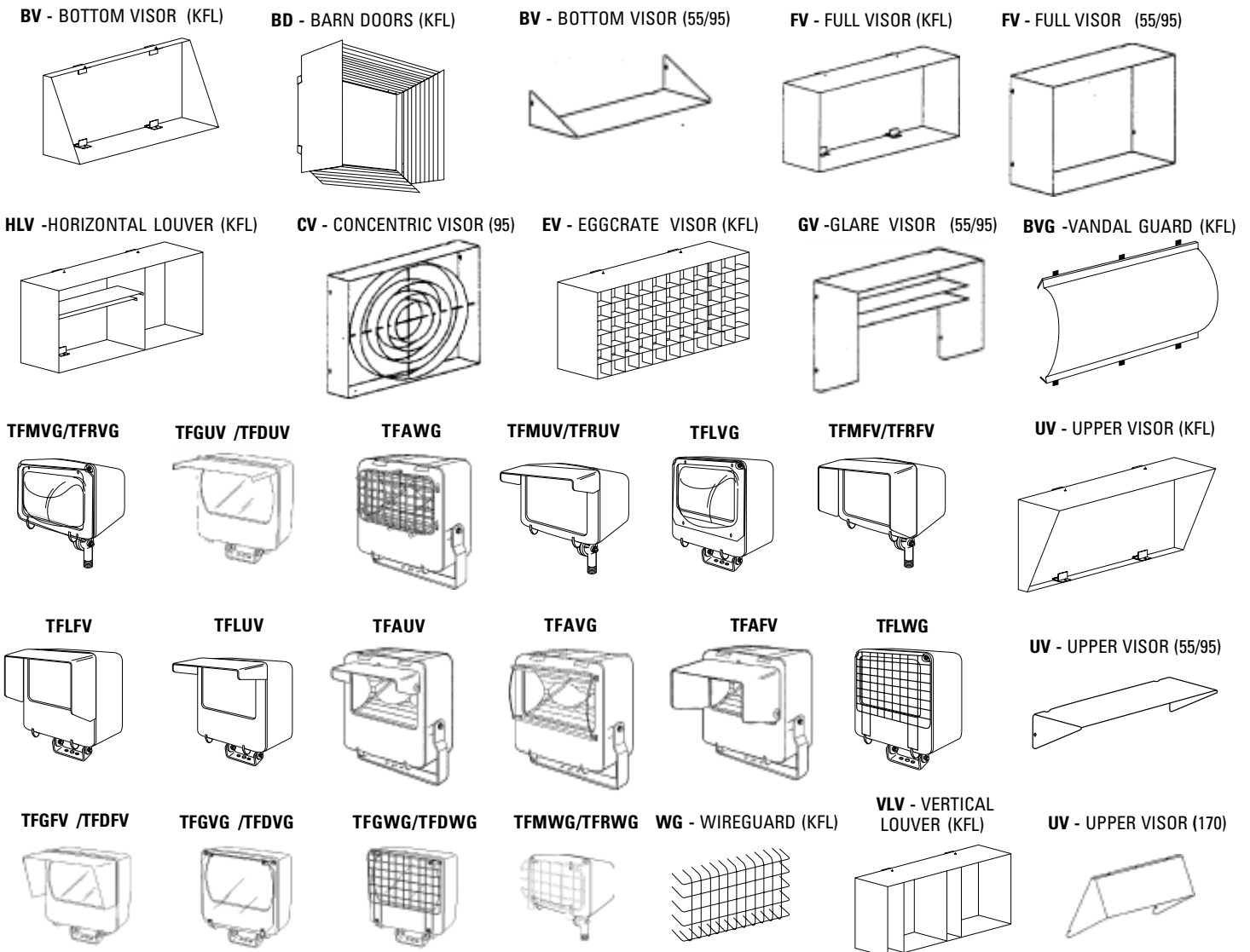


Options and Accessories

		Floodlighting									
		KFL	55	95	170S	TFA	TFD	TFG	TFR	TFL	TFM
BD²	Barn Doors.	<input type="checkbox"/>									
BV²	Bottom Visor	<input type="checkbox"/>	<input type="checkbox"/>	<input type="checkbox"/>							
BVG²	Bubble Vandal Guard.	<input type="checkbox"/>									
CV²	Concentric Visor.			<input type="checkbox"/>							
EV²	Eggcrate Visor.	<input type="checkbox"/>									
EY	Extended Yoke.						<input checked="" type="checkbox"/>	<input checked="" type="checkbox"/>	<input checked="" type="checkbox"/>	<input checked="" type="checkbox"/>	
FV²	Full Visor.	<input type="checkbox"/>	<input type="checkbox"/>	<input type="checkbox"/>							
GV²	Glare Visor.		<input type="checkbox"/>	<input type="checkbox"/>							
HLV²	Horizontal Louver.	<input type="checkbox"/>									
TF*FV	Floodlight Full Visor. Order TFGFV for TFD and TFG. (* Specify family designation. Example: TFAFV)					<input type="checkbox"/>	<input type="checkbox"/>	<input type="checkbox"/>	<input type="checkbox"/>	<input type="checkbox"/>	<input type="checkbox"/>
TF*UV	Floodlight Upper Visor. Order TFGUV for TFD and TFG. (* Specify family designation. Example: TFAUV)					<input type="checkbox"/>	<input type="checkbox"/>	<input type="checkbox"/>	<input type="checkbox"/>	<input type="checkbox"/>	<input type="checkbox"/>
TF*VG¹	Vandal Guard. Order TFGVG for TFD and TFG. (* Specify family designation. Example: TFAVG)					<input type="checkbox"/>	<input type="checkbox"/>	<input type="checkbox"/>	<input type="checkbox"/>	<input type="checkbox"/>	<input type="checkbox"/>
TF*WG	Wire Guard. Order TFGWG for TFD and TFG. (* Specify family designation. Example: TFAWG)					<input type="checkbox"/>	<input type="checkbox"/>	<input type="checkbox"/>	<input type="checkbox"/>	<input type="checkbox"/>	<input type="checkbox"/>
UV	Upper Visor. Specify family designation.	<input type="checkbox"/>	<input type="checkbox"/>	<input type="checkbox"/>	<input type="checkbox"/>						
VLV	Vertical Louver.	<input type="checkbox"/>									
WG	Wire Guard (KFL).	<input type="checkbox"/>									

NOTES:

1 When used with TFM yoke a 3/8" bolt, 2 lockwashers & nuts must be furnished by others.

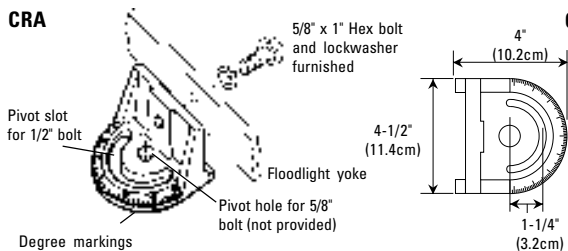


		Floodlighting									
		KFL	55	95	170S	TFA	TFD	TFG	TFR	TFL	TFM
CRA	Cross-Arm Adaptor for horizontal mounting. Order as separate catalog number. Ships as CRA U, CRA J4.	<input type="checkbox"/>	<input type="checkbox"/>	<input type="checkbox"/>	<input type="checkbox"/>	<input type="checkbox"/>	<input type="checkbox"/>	<input type="checkbox"/>	<input type="checkbox"/>	<input type="checkbox"/>	<input type="checkbox"/>
CRA45	Cross-Arm Adaptor for horizontal mounting 45°. Order as separate catalog number. Ships as CRA45 U, CRA45 JE, CRA45 J12	<input type="checkbox"/>	<input type="checkbox"/>	<input type="checkbox"/>	<input type="checkbox"/>	<input type="checkbox"/>	<input type="checkbox"/>	<input type="checkbox"/>	<input type="checkbox"/>	<input type="checkbox"/>	<input type="checkbox"/>
IS	Integral Slipfitter. When used with TFA, TFG, TFD, fits 2 to 2-1/2"; TFL & TFR fit 2" only.					<input checked="" type="checkbox"/>	<input checked="" type="checkbox"/>	<input checked="" type="checkbox"/>	<input checked="" type="checkbox"/>	<input checked="" type="checkbox"/>	
TFPMB	Pole Mounting. Specify series, yoke only.					<input type="checkbox"/>	<input type="checkbox"/>	<input type="checkbox"/>	<input type="checkbox"/>	<input type="checkbox"/>	<input type="checkbox"/>
TFPWB	Wood Pole or Wall-Mounting Bracket. Yoke only. Order as separate catalog number.	<input type="checkbox"/>	<input type="checkbox"/>	<input type="checkbox"/>	<input type="checkbox"/>	<input type="checkbox"/>	<input type="checkbox"/>	<input type="checkbox"/>	<input type="checkbox"/>	<input type="checkbox"/>	<input type="checkbox"/>
TFWPB ³	Wall Pipe Mounting Bracket. Ships as TFWPB U. Mounts to 2" schedule 40 pipe. Must use YK option.	<input type="checkbox"/>	<input type="checkbox"/>	<input type="checkbox"/>	<input type="checkbox"/>	<input type="checkbox"/>	<input type="checkbox"/>	<input type="checkbox"/>	<input type="checkbox"/>	<input type="checkbox"/>	<input type="checkbox"/>
TFX2 ²	2-Light Wood Pole Cross Arm. For galvanized, order as TFX2G. Must use YK option.	<input type="checkbox"/>	<input type="checkbox"/>	<input type="checkbox"/>	<input type="checkbox"/>	<input type="checkbox"/>	<input type="checkbox"/>	<input type="checkbox"/>	<input type="checkbox"/>	<input type="checkbox"/>	<input type="checkbox"/>
TFX3 ²	3-Light Wood Pole Cross Arm. For galvanized, order as TFX3G. Must use YK option.	<input type="checkbox"/>	<input type="checkbox"/>	<input type="checkbox"/>	<input type="checkbox"/>	<input type="checkbox"/>	<input type="checkbox"/>	<input type="checkbox"/>	<input type="checkbox"/>	<input type="checkbox"/>	<input type="checkbox"/>
TFX4 ²	4-Light Wood Pole Cross Arm. For galvanized, order as TFX4G. Must use YK option.	<input type="checkbox"/>	<input type="checkbox"/>	<input type="checkbox"/>	<input type="checkbox"/>	<input type="checkbox"/>	<input type="checkbox"/>	<input type="checkbox"/>	<input type="checkbox"/>	<input type="checkbox"/>	<input type="checkbox"/>
TFMST	Tenon Slipfitter. For knuckle-mount floodlight. Fits 1-1/4" to 2" (2-3/8" OD). Ships as TFMST U, TFMST J4 (1/2" threaded knuckle only)										<input type="checkbox"/>
TFRAB	Right Angle Mounting Bracket (requires tenon slipfitter). Std. finish is DDB	<input type="checkbox"/>	<input type="checkbox"/>	<input type="checkbox"/>	<input type="checkbox"/>	<input type="checkbox"/>	<input type="checkbox"/>	<input type="checkbox"/>	<input type="checkbox"/>	<input type="checkbox"/>	<input type="checkbox"/>
TF SAB	Steel Angle Mounting Bracket (yoke only). Standard finish is DDB (must specify color)	<input type="checkbox"/>	<input type="checkbox"/>	<input type="checkbox"/>	<input type="checkbox"/>	<input type="checkbox"/>	<input type="checkbox"/>	<input type="checkbox"/>	<input type="checkbox"/>	<input type="checkbox"/>	<input type="checkbox"/>

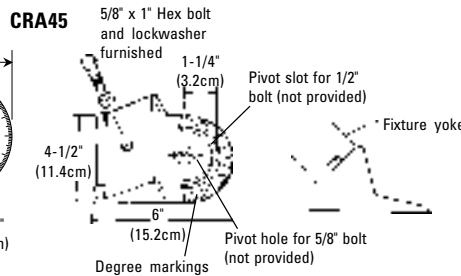
NOTES:

- 1 Vandal Guards are compatible with all wattages.
- 2 Specify family as prefix when ordering as a separate line item.
- 3 Order as separate catalog number.
- 4 When used with TFM yoke a 3/8" bolt, 2 lockwashers & nuts must be furnished by others.

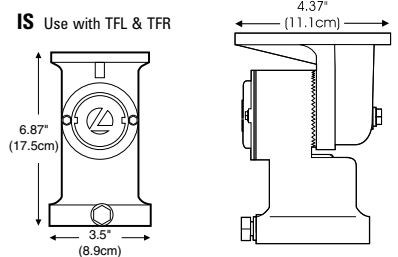
CRA



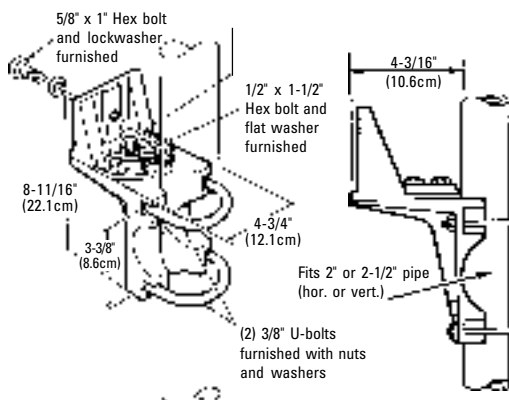
CRA45



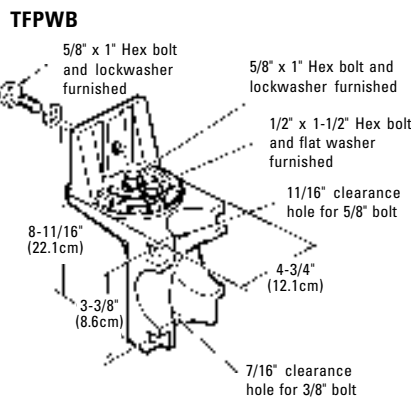
IS Use with TFL & TFR



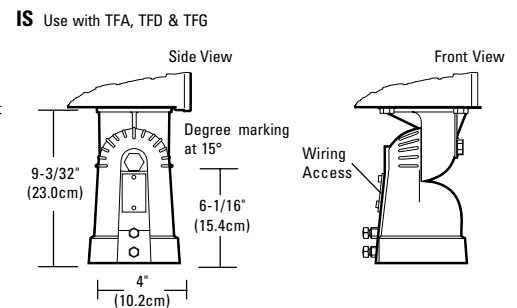
TFPMB



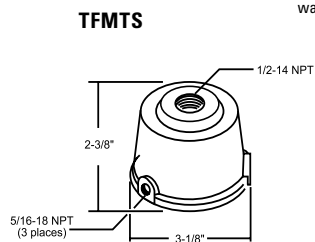
TFPWB



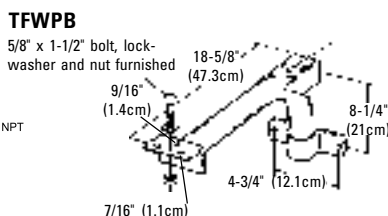
IS Use with TFA, TFD & TFG



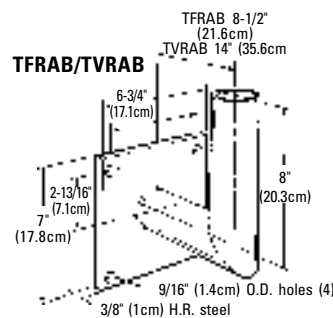
TFMST



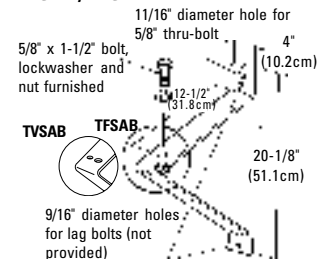
TFWPB



TFRAB/TVRAB



TFSAB/TVSAB



Options and Accessories

		Floodlighting									
		KFL	55	95	170S	TFA	TFD	TFG	TFR	TFL	TFM
AJB	Architectural J-box.	<input type="checkbox"/>									<input type="checkbox"/>
EWB	Extended Wall Bracket, yoke mount only.	<input type="checkbox"/>	<input type="checkbox"/>	<input type="checkbox"/>	<input type="checkbox"/>	<input type="checkbox"/>	<input type="checkbox"/>	<input type="checkbox"/>	<input type="checkbox"/>	<input type="checkbox"/>	<input type="checkbox"/>
HCA	Cross Arm Adapter. (Includes yoke-mount option on fixture).	<input type="checkbox"/>	<input type="checkbox"/>	<input type="checkbox"/>	<input type="checkbox"/>						
KFLTMB	Twin Mounting Bar. Must be ordered in multiples of two.	<input type="checkbox"/>			<input type="checkbox"/>	<input type="checkbox"/>	<input type="checkbox"/>	<input type="checkbox"/>	<input type="checkbox"/>	<input type="checkbox"/>	<input type="checkbox"/>
KFLTMBTHK	Twin Mounting Bar for THK option. Only compatible with KFLTHK. Must be ordered in multiples of two.	<input type="checkbox"/>									
MP	Mounting Plate. (Includes yoke-mount option on fixture).	<input type="checkbox"/>	<input type="checkbox"/>	<input type="checkbox"/>		<input type="checkbox"/>	<input type="checkbox"/>	<input type="checkbox"/>	<input type="checkbox"/>	<input type="checkbox"/>	<input type="checkbox"/>
KFLSTM²	Stanchion Mount. Requires tenon slipfitter.	<input type="checkbox"/>	<input type="checkbox"/>	<input type="checkbox"/>	<input type="checkbox"/>	<input type="checkbox"/>	<input type="checkbox"/>	<input type="checkbox"/>	<input type="checkbox"/>	<input type="checkbox"/>	<input type="checkbox"/>
KFLSTMTHK	Stanchion Mount for THK option. (Use with THK mounting only or standard TFM).	<input type="checkbox"/>									<input type="checkbox"/>
KFLTBS	Triangular Base.	<input type="checkbox"/>									
TFTS	Tenon Slipfitter. For yoke-mount floodlight. Fits 2" to 2-1/2" (2-7/8" OD) when used with TFA, TFG, TFD. Fits 1-1/2" to 2-1/2" (2-3/8" OD) when used with TFL, TFR, KFL, 55, 95 or 170s (YK only)	<input type="checkbox"/>	<input type="checkbox"/>	<input type="checkbox"/>	<input type="checkbox"/>	<input type="checkbox"/>	<input type="checkbox"/>	<input type="checkbox"/>	<input type="checkbox"/>	<input type="checkbox"/>	<input type="checkbox"/>
THK	Threaded Knuckle Mount.	<input checked="" type="checkbox"/>									
TM	Tenon Base Mount. Use with TS, IS or Swivel options. Must use slipfitter 2-3/8 to 2-7/8" OD	<input type="checkbox"/>	<input type="checkbox"/>	<input type="checkbox"/>	<input type="checkbox"/>	<input type="checkbox"/>	<input type="checkbox"/>	<input type="checkbox"/>	<input type="checkbox"/>	<input type="checkbox"/>	<input type="checkbox"/>
TS	Tenon Slipfitter.	<input type="checkbox"/>	<input type="checkbox"/>	<input type="checkbox"/>	<input type="checkbox"/>						
WB	Wall-Mount Bracket. (Includes yoke-mount option on fixture).	<input type="checkbox"/>	<input type="checkbox"/>	<input type="checkbox"/>	<input type="checkbox"/>						
KFLWMA	Wall Mount Adjustable. Requires IS, TFTS or TFMTS.	<input type="checkbox"/>			<input type="checkbox"/>	<input type="checkbox"/>	<input type="checkbox"/>	<input type="checkbox"/>	<input type="checkbox"/>	<input type="checkbox"/>	<input type="checkbox"/>
KFLWMATHK	Wall Mount Arm for THK option.	<input type="checkbox"/>									
YK	Yoke Mounting Bracket.	<input checked="" type="checkbox"/>									<input checked="" type="checkbox"/>
STM	Stanchion Mount.	<input checked="" type="checkbox"/>									<input checked="" type="checkbox"/>

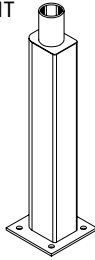
NOTES:

1 When used with TFM yoke a 3/8" bolt, 2 lockwashers & nuts must be furnished by others.

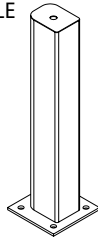
TM - TENON BASE MOUNT



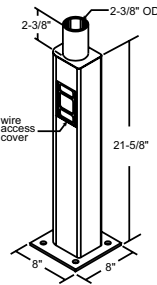
KFLSTM - STANCHION MOUNT



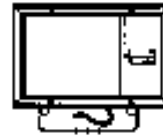
KFLSTMTHK - STANCHION MOUNT FOR THREADED KNUCKLE



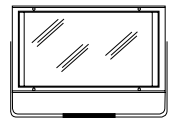
STM - STANCHION MOUNT



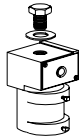
YK - YOKE MOUNT



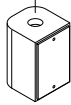
YKE - END CAP YOKE MOUNT



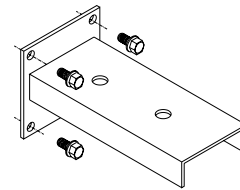
TS - TENON SLIPFITTER



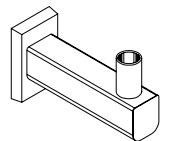
AJB - ARCHITECTURAL JUNCTION BOX



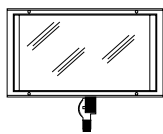
EWB - EXTENDED WALL BRACKET



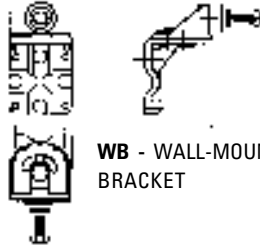
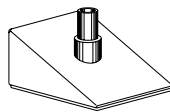
KFLWMA - WALL-MOUNT



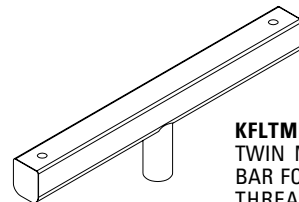
THK - THREADED KNUCKLE MOUNT



KFLTBS - TRIANGULAR BASE

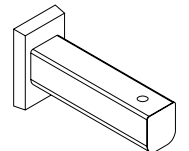


WB - WALL-MOUNT BRACKET

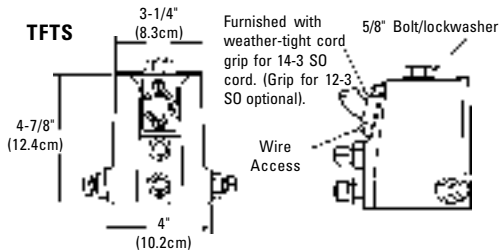


KFLTMBTHK - TWIN MOUNTING BAR FOR THREADED KNUCKLE

KFLWMATHK - WALL-MOUNT ARM FOR THREADED KNUCKLE



TFTS



HCA - CROSS ARM ADAPTER

